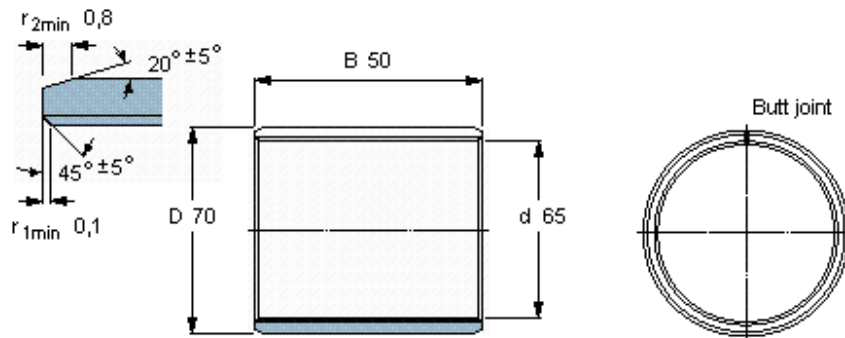


Composite dry sliding bushings, metric dimensions

Principal dimensions			Basic load ratings		Mass	Designation
d	D	B	dynamic C	static C0	kg	-
mm	70	50	kN			
65	70	50	255	800	0,2	PCM 657050 E



Specific load factor
Material constant

K 80
 K_M 480